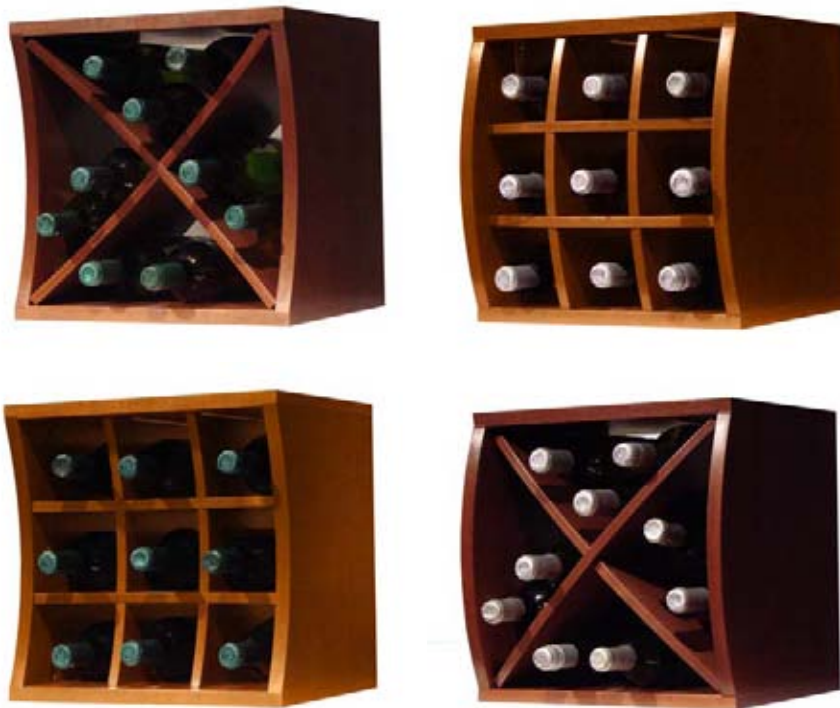




Superior Design & Craftsmanship

Wine Wave Cube Assembly Instructions



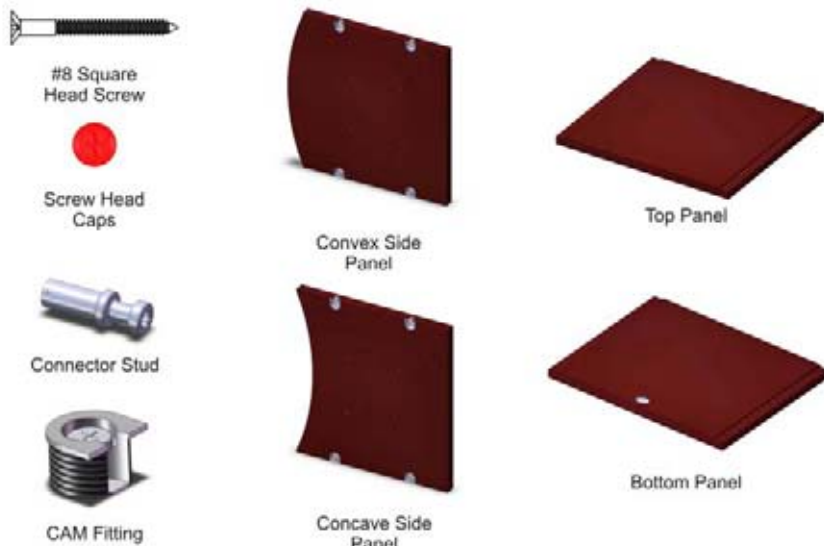
Congratulations! You have purchased the finest wine racking available anywhere. Properly assembled, these Vigilant wave cubes will outlast even your finest wines. Please call us toll-free at **888-812-4427** if you have any questions or problems.

Tools Required for Assembly:

- Phillips Head Screwdriver
- Screw Gun
 - with a #2 Square Head Drill Bit or
 - Phillips Head Drill Bit

Parts List:

Before starting, carefully review the parts and quantities against the parts list to make sure you have everything you need. Then read through the instructions, taking time to familiarize yourself with the pieces and steps.



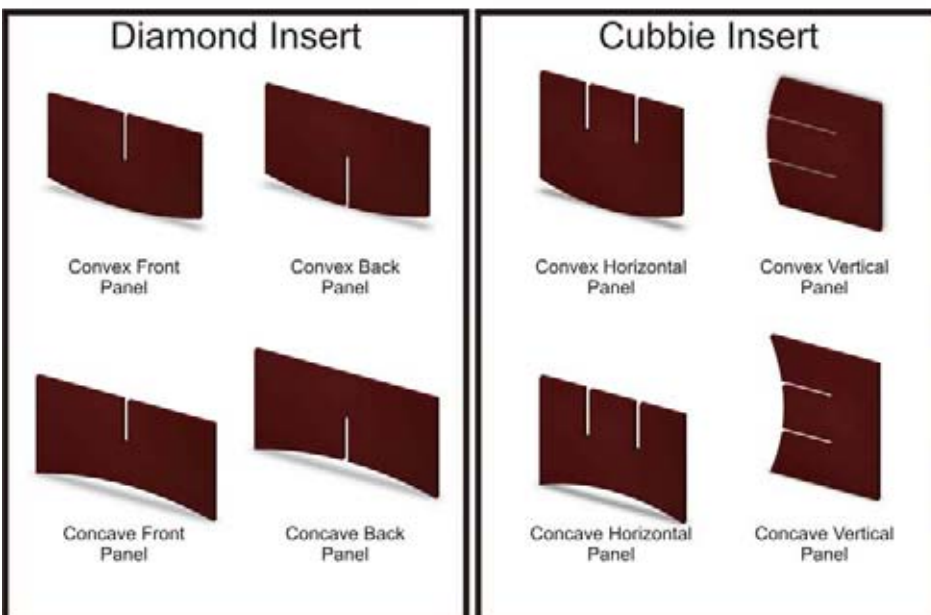
- Wave Cube**
- 1 Top Panel
 - 1 Emblem Panel
 - 2 Side Panels
 - 8 CAM Fittings
 - 8 Connector Studs
 - 4 #8 Square Head Screws (1.25" long)
 - 10 Screw Head Caps

Wave Cube with Cubbie Insert

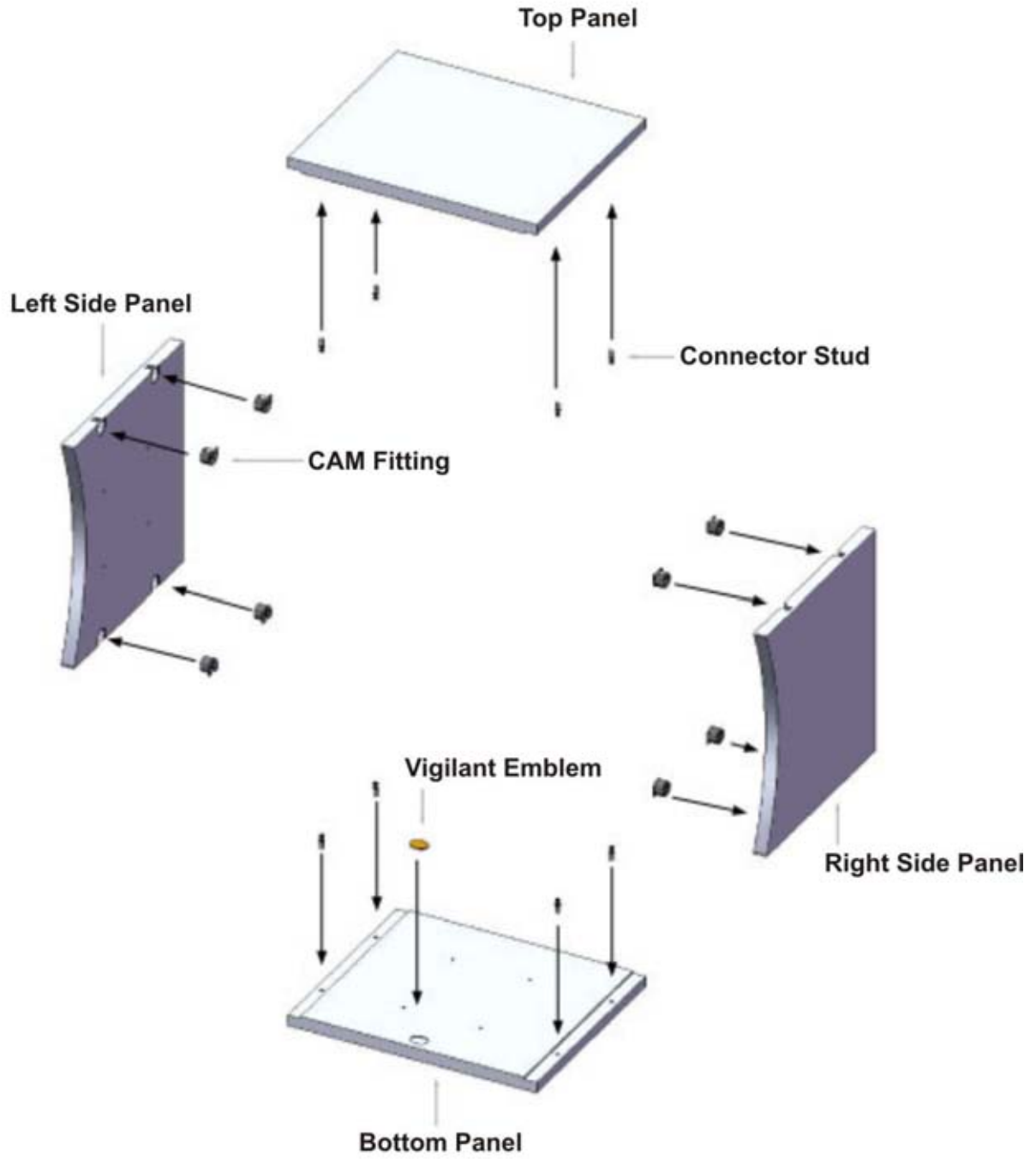
- 1 Top Panel
- 1 Emblem Panel
- 2 Side Panels
- 8 CAM Fittings
- 8 Connector Studs
- 4 #8 Square Head Screws (1.25" long)
- 2 Vertical Panels
- 2 Horizontal Panels
- 10 Screw Head Caps

Wave Cube with Diamond Insert

- 1 Top Panel
- 1 Emblem Panel
- 2 Side Panels
- 8 CAM Fittings
- 8 Connector Studs
- 4 #8 Square Head Screws (1.25" long)
- 1 Back Panel
- 1 Front Panel
- 10 Screw Head Caps



Parts List



Exploded View

Steps to Assembly

Assembly steps are the same for both the convex and concave wave cubes. (Concave shown in diagrams).

1. Locate the top, emblem and side panels (**See Exploded View**).
2. Locate the four connector stud holes on the top and emblem panels and insert the connector studs (**Figure 1**).

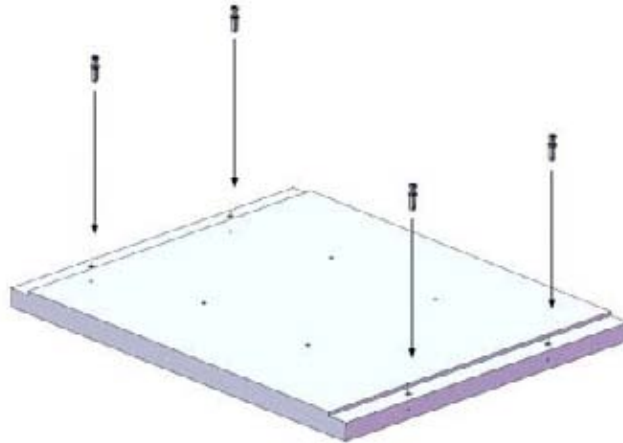


Figure 1

(Bottom Panel Showing)

3. Set the first side panel into the dado (or groove) on the left side of the top panel (**Figure 2a**). Slide the connector studs into the CAM fittings, which have been factory installed. Tighten the CAM fittings around the connector studs by turning clockwise 90 degrees (**Figure 2b**). Repeat for the other side panel (**Figure 3 on pg 4**).

Note: All finished ends of the panels should be facing forward.

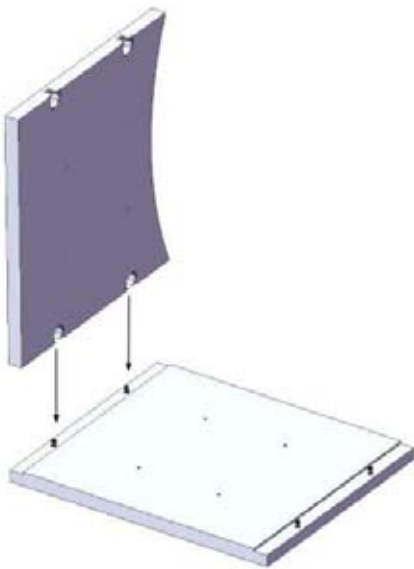


Figure 2a

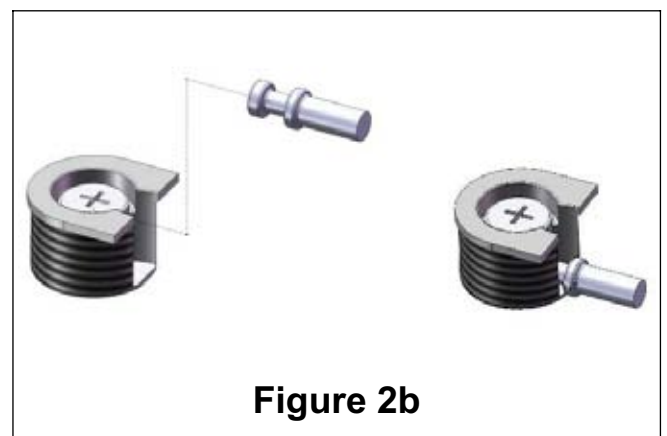


Figure 2b

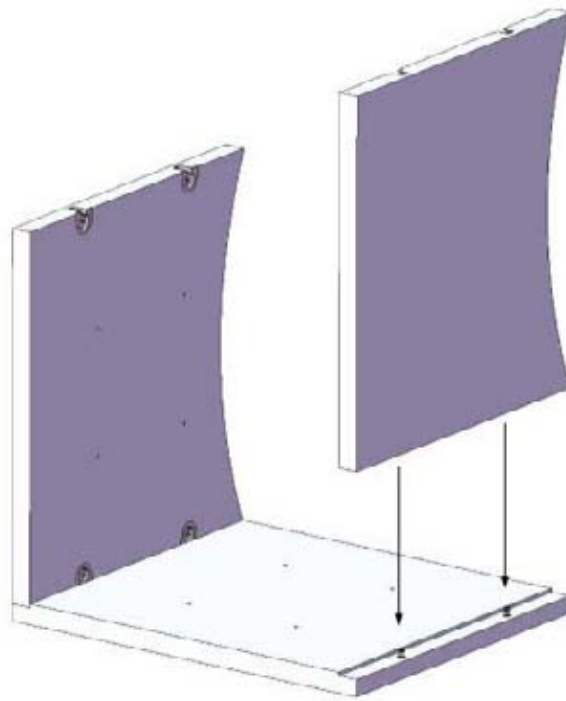


Figure 3

4. Locate the emblem panel and align the connector studs with the CAM fittings on the side panels. Tighten all the CAM fittings around the connector studs as done in the previous steps (**Figure 4**).

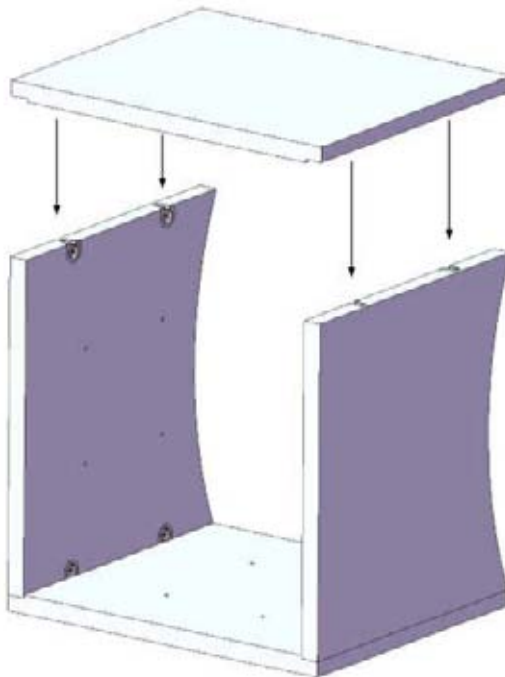


Figure 4

5. The outer frame should be fully assembled (**Figure 5**).



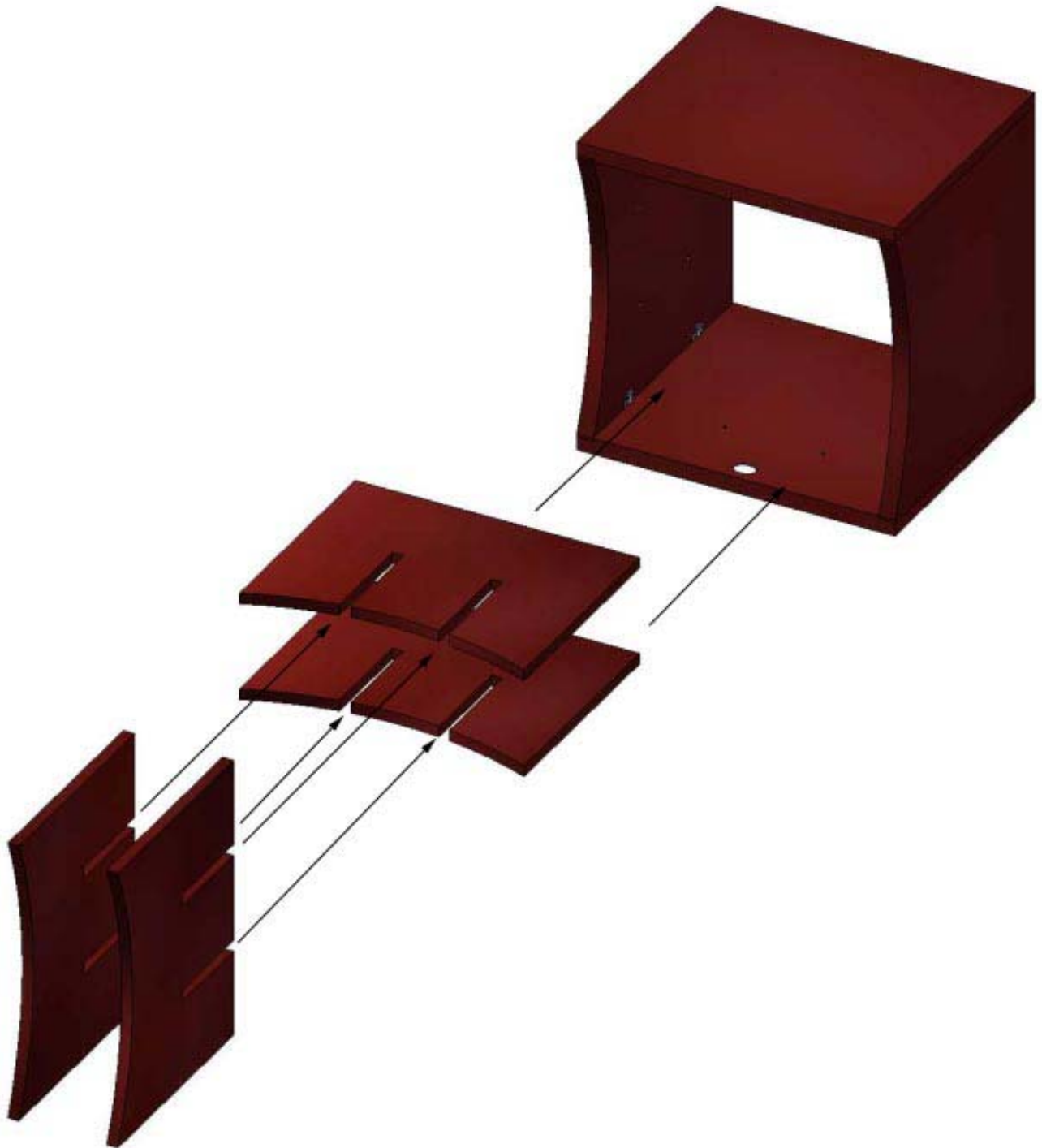
Figure 5

Note: Four #8 square head screws have been included with your wave cube. These are used to secure the wave cubes to one another if you are not using a pedestal (pg. 12). Use the pre-drilled holes on the bottom of the wave cubes to attach two cubes together.

Each Wave Cube has 10 Screw Head Caps included to cover any exposed holes.

Optional Insert

Cubbie Insert



Exploded View

1. Locate the (2) vertical panels and the (2) horizontal panels. Stand both vertical panels upright and connect the first horizontal panel by sliding it into the open slots. Repeat for the second horizontal panel (**Figure 1a-b**).

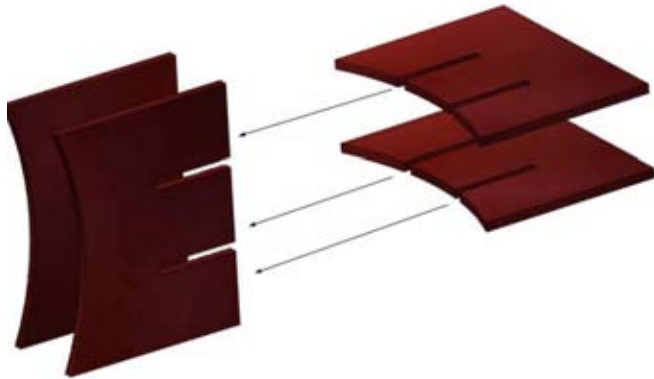


Figure 1a

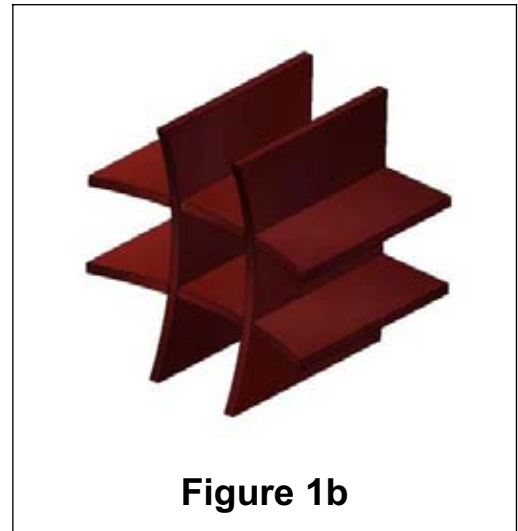


Figure 1b

2. The cubbie insert is now complete and can be inserted into the finished wave cube (**Figure 2**).

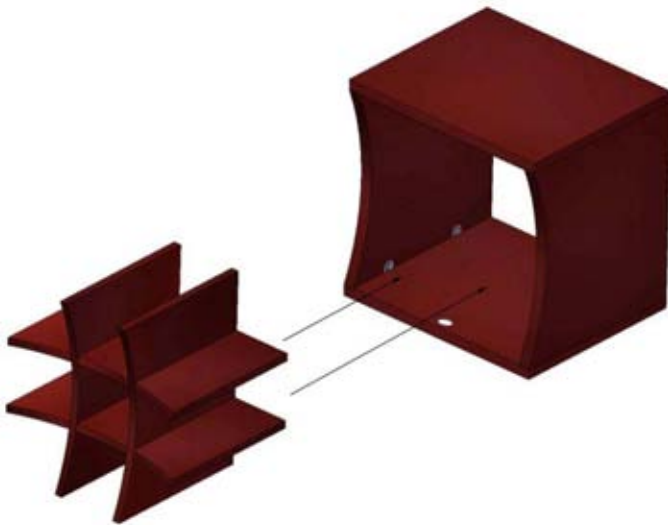
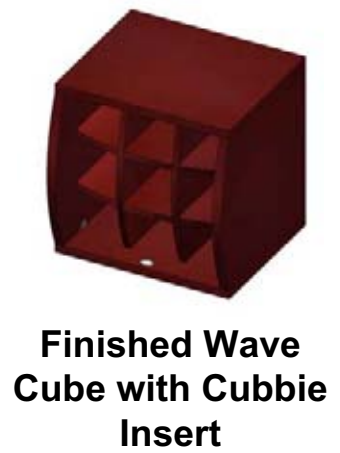


Figure 2



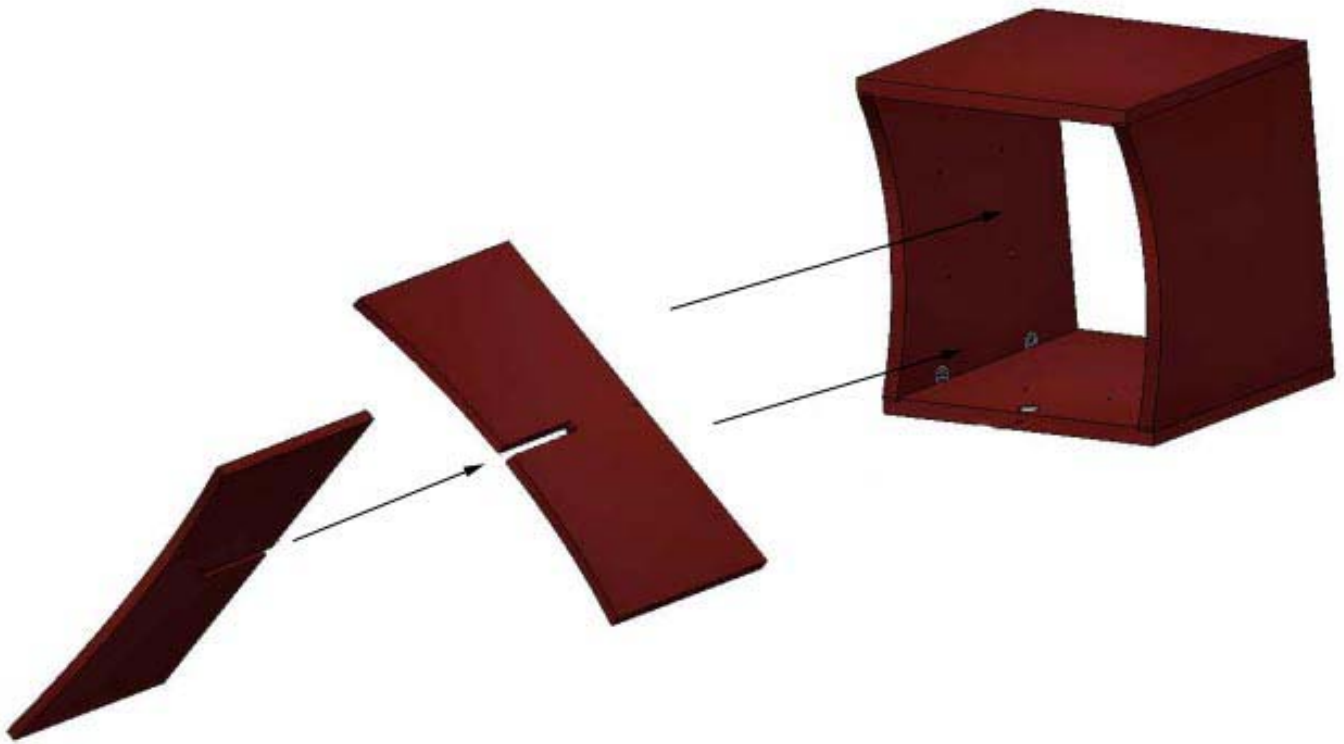
**Finished Wave
Cube
with Cubbie Insert**



**Finished Wave
Cube with Cubbie
Insert**

Optional Insert

Diamond Insert



Exploded View

1. Locate the back panel and insert the front panel at roughly a 45 degree angle. The slot on the front panel should fit directly over the slot on the back panel. (**Figure 1a-b**).

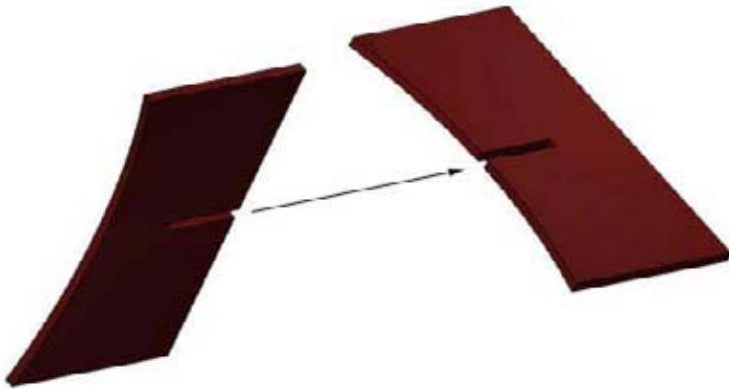


Figure 1a

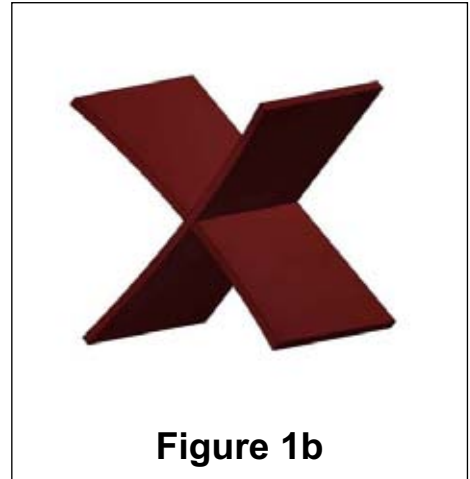


Figure 1b

2. The diamond insert is now complete and can be inserted into the finished wave cube (**Figure 2**).

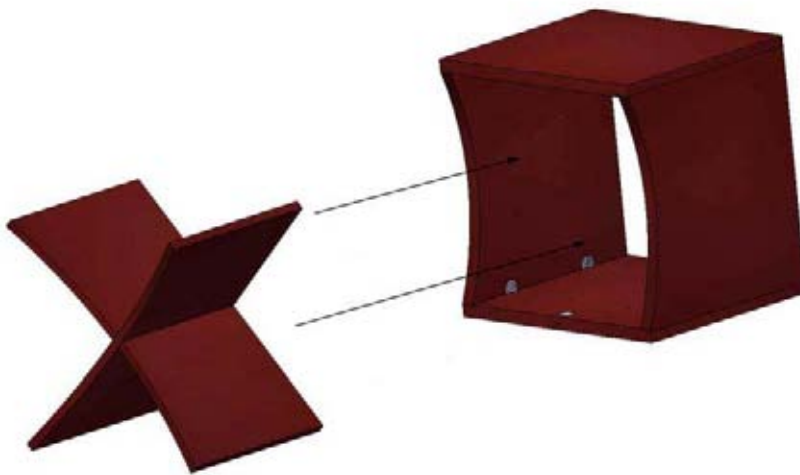


Figure 2

**Finished Wave Cube
with Diamond Insert**



**Finished Wave Cube
with Diamond Insert**

Optional Accessories

Wall Mounting Cleat

Parts List

- 1 Cleat
- 2 Wall Anchors
- 2 Round Head Bolts (2.25" long)
- 3 Round Washer Head Screws (1.5" long)

Tools

- Screw Gun



Cleat



Round Head Bolt

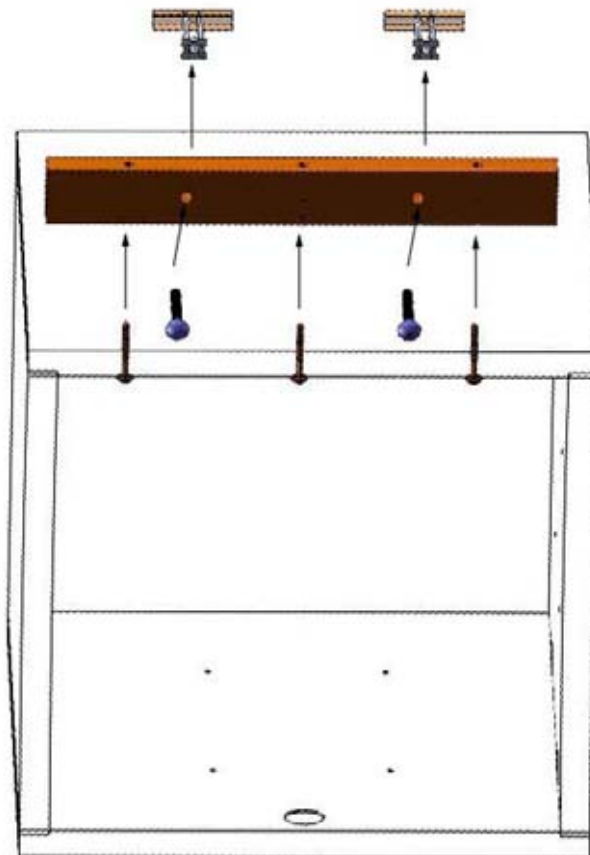


Wall Anchor



Round Head Washer Screw

Note: The diagram below shows the wave cube fully upright, but the wave cube can be rotated so that either side panel is the top. The cleat instructions are the same no matter which side is used as the top.



Exploded View

1. Using the (2) pre-drilled holes on the front side of the cleat as a guide, mark the wall with a pencil where your wall anchors will be placed.

2. Drill a 1/2" hole into the wall. Slide the flattened anchor through the hole until you have cleared the wallboard/drywall. Once the metal piece is on the other side, slide the white tabs until they are even, thus expanding the metal piece and making it perpendicular to the wall. Slide the collar down to the wall and brake the excess tabs off. Repeat for the second hole.

3. Attach the cleat to the wave cube using the pre-drilled pocket screw holes at the bottom of the cleat. Drill into the cube using the round washer head screws provided (**Figure 1**).

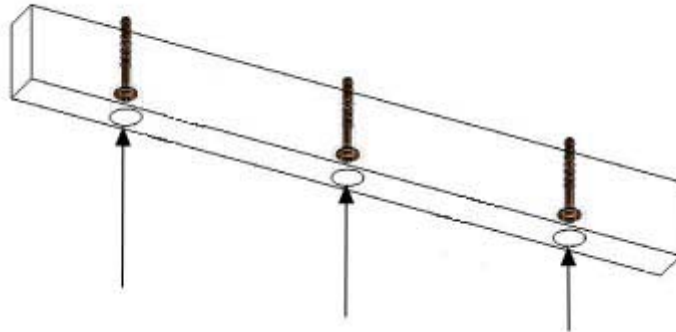


Figure 1

4. Line up the pre-drilled holes on the front of the cleat to the wall anchors attached to the wall.

5. Using the round head bolts provided, attach the wave cube to the wall anchors through the 2 pre-drilled holes in the cleat (**Figure 2**).

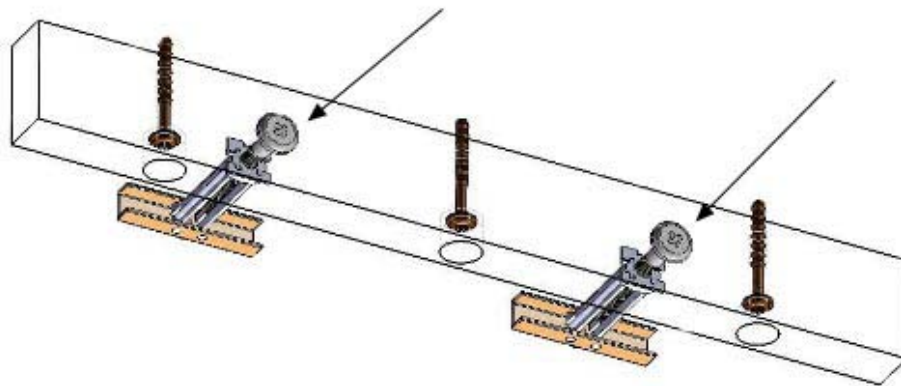


Figure 2

Note: To insure adequate support, please be sure not to exceed 75 lbs. per wave cube.

Optional Accessories

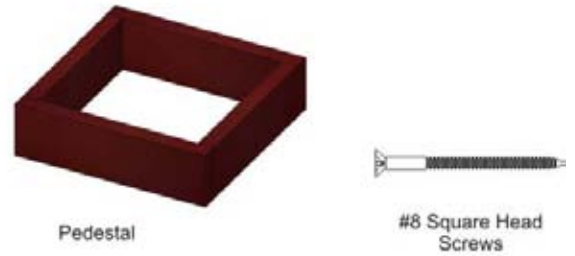
Wave Cube Pedestal

Parts List

- 1 Pedestal
- 2 #8 Square Head Screws (1.5" long)

Tools

- Screw Gun (optional)



Note: There are four pre-drilled holes on each panel of the cube. Use the two front facing holes when attaching the pedestal.

Vigilant recommends pre-drilling through holes provided and into the accessory being attached. It is best to use a 3/32" drill bit or a drill bit smaller than the screws provided.

1. Lay the wave cube on it's open back on a clean surface. Screw the #8 square head screws through the pre-drilled holes until the tip of the screw breaks through the surface (**Figure 1**).
2. Line the #8 square head screws up with the pre-drilled holes in the pedestal and continue drilling until the pedestal is attached and screws are flush with cube panel surface (**Figure 1**).

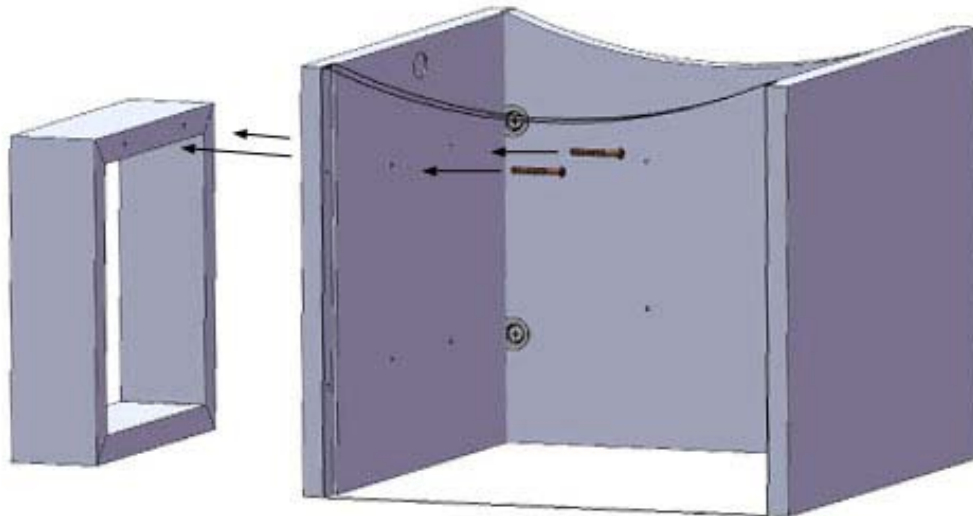


Figure 1

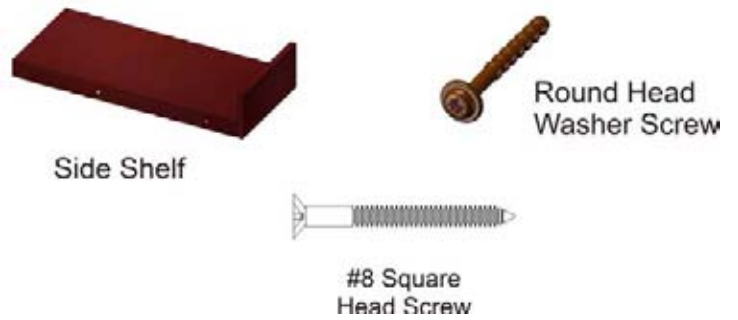
Wave Cube Side Shelf

Parts List

- 1 Shelf
- 4 #8 Square Head Screws (1.5" long)

Tools

- Screw Gun (optional)



Note: There are four pre-drilled holes on each panel of the cube. These holes provide two options for your shelf; use the bottom two holes to create a lower shelf and the top two holes to create a higher shelf.

Vigilant recommends pre-drilling through holes provided and into the accessory being attached. It is best to use a 3/32" drill bit or a drill bit smaller than the screws provided.

1. Set the wave cube on its open back on a clean surface. Screw the #8 square head screws through the pre-drilled holes on the side you are placing the shelf, until the tip of the screw breaks through the surface (**Figure 1**). Make sure the front lip of the shelf is facing forward.

2. Line the #8 square head screws up with the pre-drilled holes in the shelf and continue drilling until the shelf is securely attached and screw heads are flush with the panel surface (**Figure 1**).

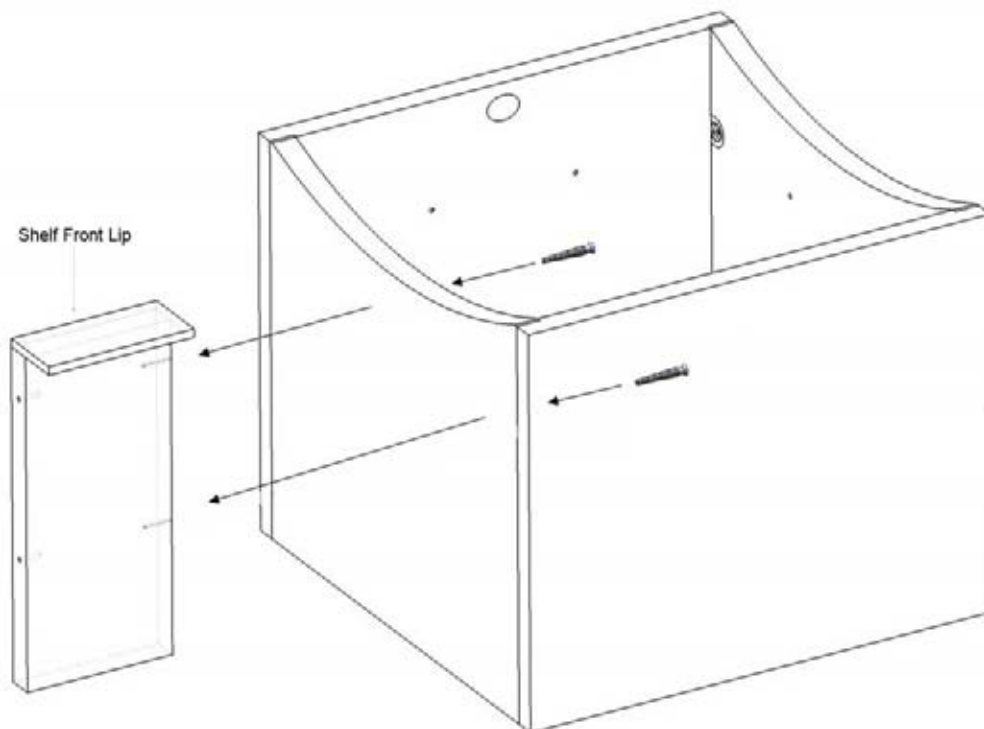


Figure 1

3. Repeat step 1 and 2 for the second wave cube (**Figure 2**).

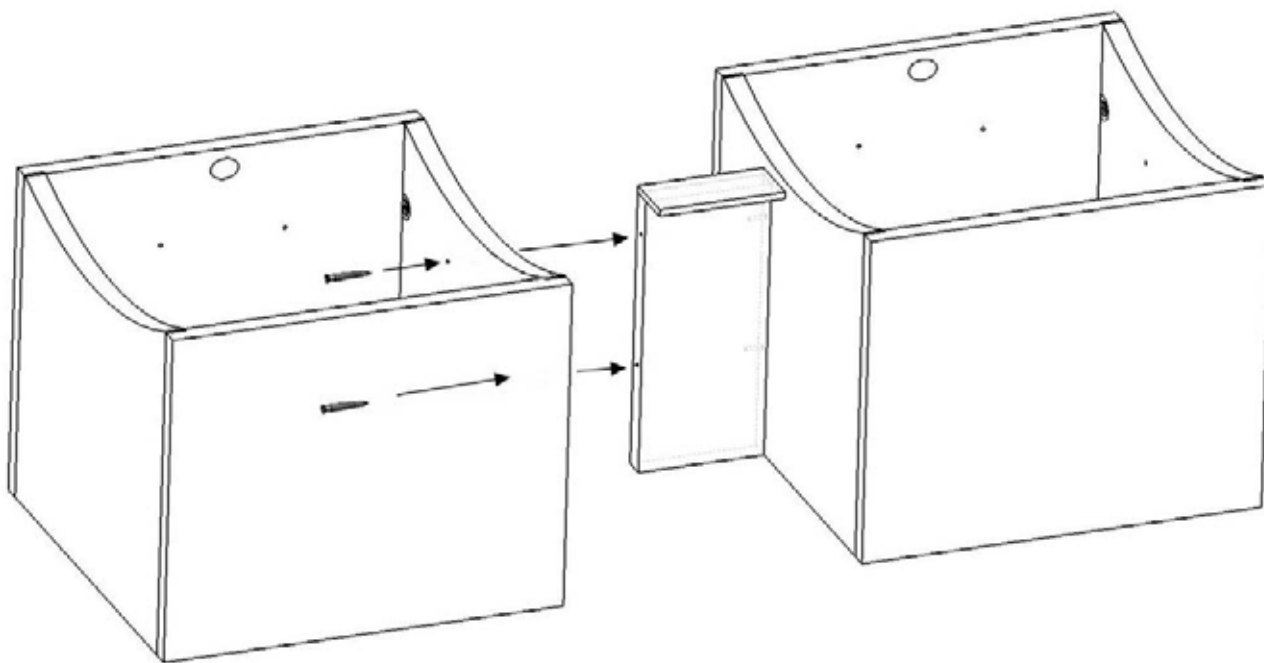


Figure 2

Wave Cube End Shelf with Gusset

Parts List

- 1 End Shelf
- 2 #8 Square Head Screws (1.5" long)
- 1 Round Washer Head Screw (1.5" long)

Tools

- Screw Gun (optional)



End Shelf



Gusset



#8 Square Head Screw



Round Head Washer Screw

Note: There are four pre-drilled holes on each panel of the cube. These provide two options for attaching your shelf; use the bottom two holes to create a lower shelf and the top two holes to create a higher shelf.

Vigilant recommends pre-drilling through holes provided and into the accessory being attached. It is best to use a 3/32" drill bit or a drill bit smaller than the screws provided.

1. Repeat step 1 and 2 from the side shelf instructions on pg. 13. **(Figure 1)**

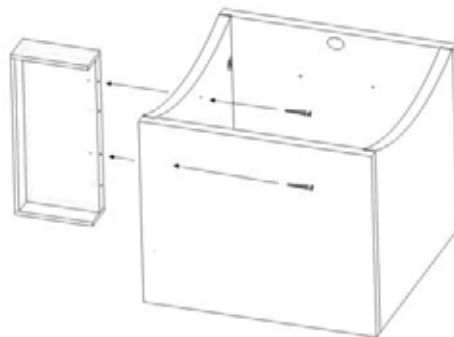


Figure 1

2. Once your shelf is attached to the wave cube line your gusset flush against the cube and in the center of the end shelf. **(Figure 2)**

3. Attach the gusset to the shelf by pre-drilling through the gusset and into the shelf. Screw your round head washer screw through the gusset and into the bottom of the shelf. **(Figure 2)**

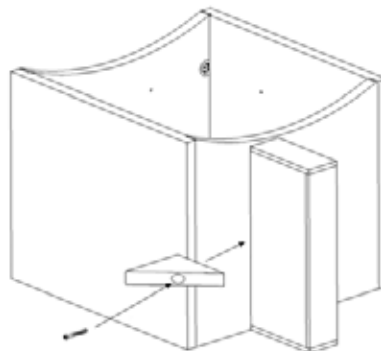


Figure 2

Wave Cube Tabletop

Parts List

- 1 Tabletop
- 4 #8 Square Head Screws (1.25" long)

Tools

- Screw Gun (optional)



Tabletop



#8 Square Head
Screw (1 1/4" long)

Vigilant recommends pre-drilling through holes provided and into the accessory being attached. It is best to use a 3/32" drill bit or a drill bit smaller than the screws provided.

1. Place the tabletop over two adjacent wave cubes. Make sure the tabletop is flush with both the sides and back of the wave cubes before you attach (**Figure 1a**).
2. Using the pre-drilled holes (2 in each cube) on the top panel, attach the tabletop with the #8 square head screws provided (**Figure 1a**).
3. Once the tabletop is attached and the inserts are placed in the wave cubes the assembly should look like (**Figure 1b**).



Figure 1a



Figure 1b

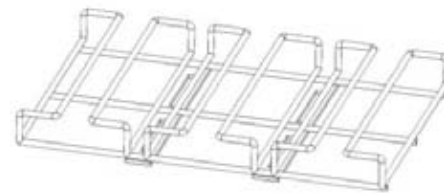
Wave Cube Stemware Rack

Parts List

- 1 Stemware Rack
- 2 Round Head Washer Screw (.75" long)

Tools

- Screw Gun (optional)



Stemware Rack



Round Head
Washer Screw

Note: There are 4 screw hole slats in the stemware rack. Only the back two slats are needed when attaching the stemware rack. The stemware rack is symmetrical and can be placed in the cube with either open end facing forward.

Vigilant recommends pre-drilling through the holes provided. It is best to use a 3/32" drill bit or a drill bit smaller than the screws provided.

1. Lay the wave cube upside down so the top of the cube is facing towards the ground (**Figure 1**).
2. Place the stemware rack over the two back, pre-drilled holes inside the cube.
3. Attach the stemware rack with the round head washer screws provided (**Figure 1**).

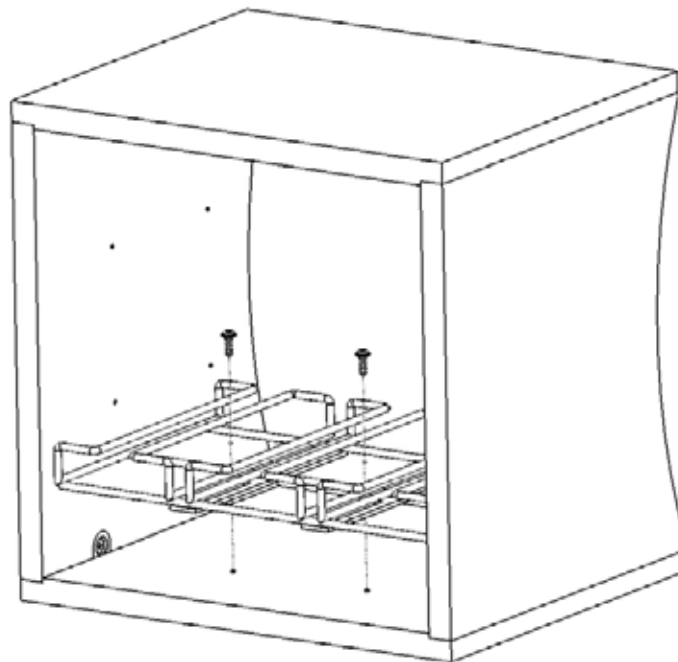


Figure 1

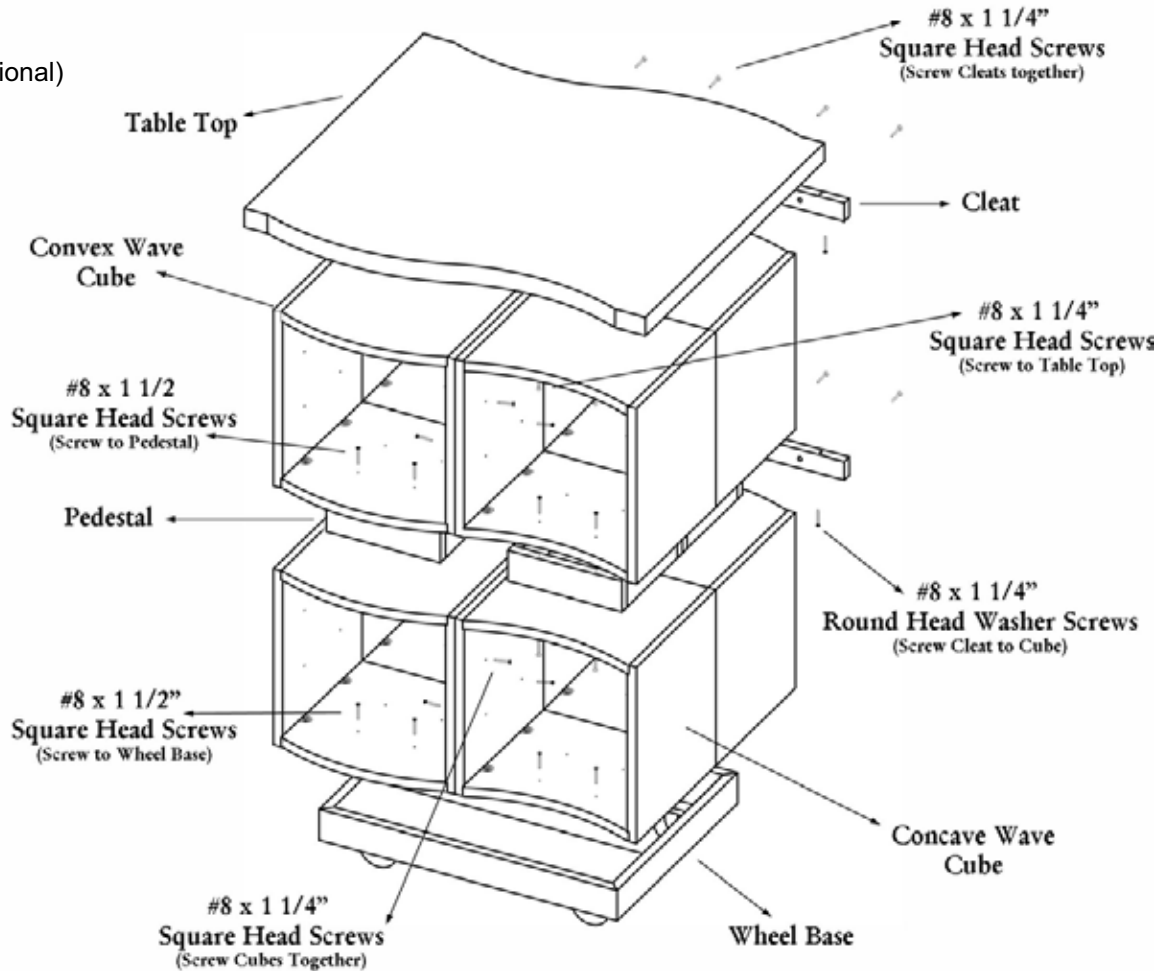
Wave Cube Table with Wheel Base

Parts List

(1) Wave Cube Table Top	(4) Convex Wave Cubes	(4) Concave Wave Cubes
(4) Wave Cube Pedestals	(8) Wall Mounting Cleats	(1) Wheel Base
(24) #8 x 1 1/2" Square Head Screws	(32) #8 x 1 1/4" Square Head Screws	(12) #8 x 1 1/4" Round Head Washer Screws
(8) Inserts (**Not shown)		

Tools

Screw Gun (optional)



- 1) Assembled the (8) wave cubes in the assembly by following the steps on pgs. 1-5.
- 2) Attach (1) cleat in each cube (See pg. 10-11).
- 3) Attach the (4) pedestals to the top of (2) concave cubes and (2) convex cubes (See pg. 12)
- 4) Locate the first concave wave cube and the first convex wave cube with pedestals attached.
- 5) Line the cubes back to back with pedestals facing up and attach through the cleat using (2) 1 1/4" square head screws.
- 6) Drill (2) 1 1/2" square head screws from inside the cube through the front two holes on the bottom panels until the tip of the screw is showing on the opposite side.
Note: Before attaching the cubes to the wheelbase make sure that the first concave cube is in the front right hand corner of the base. If the cubes are not installed in the right spot, the table top will not fit.
- 7) Line the tips of the screws with the pre-drilled holes on the wheel base (the wheel base should have one of the longer sides facing forward). Secure into place.
- 8) Locate the second concave wave cube and the second convex wave cube with pedestals attached.
- 9) Repeat step 5 for the second cubes.

- 10) Line the cubes up with the cubes already attached to the wheel base. Make sure the cubes are flush and moving in the correct wave direction. (**See diagram above**).
- 11) Using (2) 1 1/4" screws per cube, attach all four cubes to each other through the top left and bottom right holes on the inside side panels. Be sure to use the opposite holes on adjacent cubes.
- 12) Attach to the wheelbase through the front two holes on the bottom panel using (2) 1 1/2" square head screws.
Note: The bottom of the wave cube table is complete. The assembly will have the 4 pedestal bases on top. Be sure to match the wave cubes as you attach the remaining four cubes.
- 13) Repeat steps 4 - 12 for attaching the (4) remaining cubes. **Note: you will attach the cubes to the pedestals the same way you attached the cubes to the wheel base in previous steps.**
- 14) Line up the table top to the top cubes, making sure to follow the wave of the table.
- 15) Using (8) 1 1/4" screws, attach the tabletop from inside the cubes using the 2 front pre-drilled holes in each cube.
- 16) Slide inserts into each cube to complete the table.

Wave Cube Table

Parts List

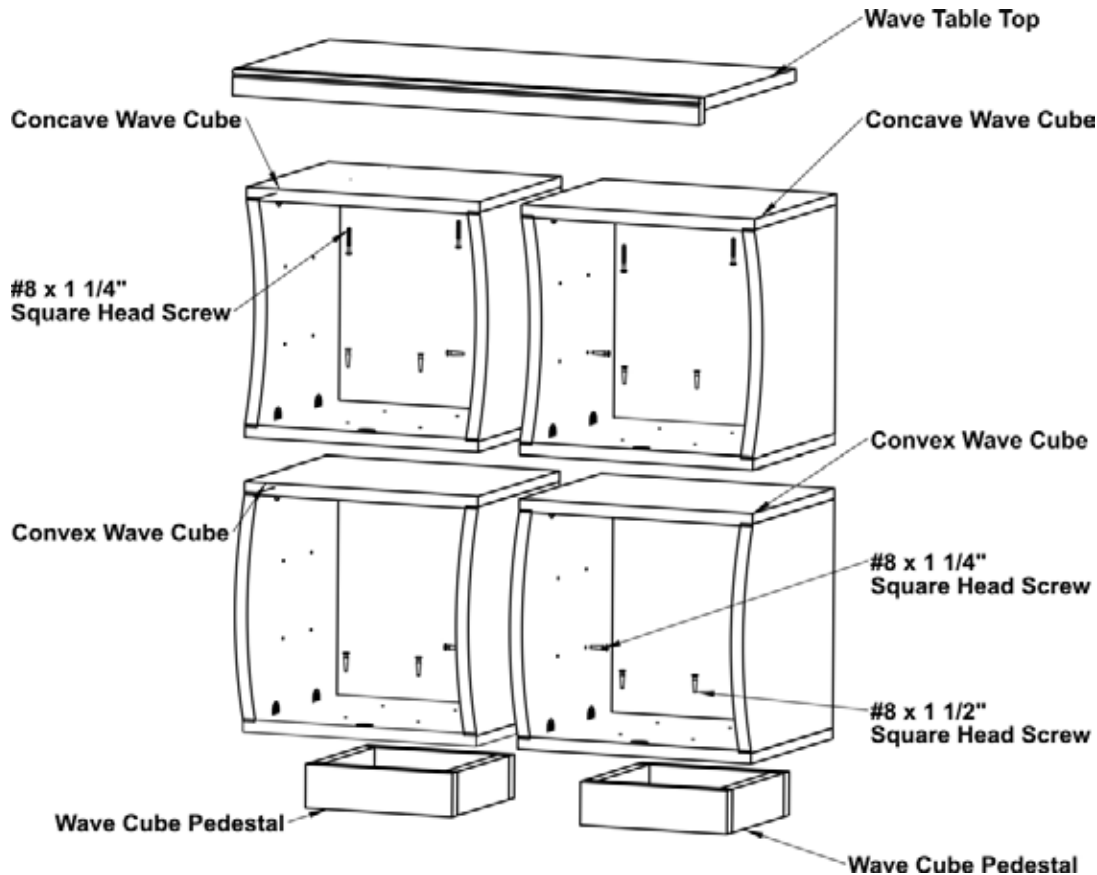
(1) Wave Cube Table Top
(2) Wave Cube Pedestals
(4) Inserts (**Not shown)

(2) Convex Wave Cubes
(4) #8 x 1 1/2" Square Head Screws

(2) Concave Wave Cubes
(20) #8 x 1 1/4" Square Head Screws

Tools

Screw Gun (optional)



- 1) Assemble the (4) wave cubes in the table by following the steps on pgs. 1-5.
 - 2) Attach the (2) pedestals to the bottom of the (2) convex cubes (See pg. 12)
 - 3) Using (2) 1 1/4" screws per cube, attach a concave cube on top of each convex cube. Attach the convex cube to the concave cube through the front left and back right holes on the top inside panel.
 - 4) Attach the concave cube to the convex cube through the front right and back left holes on the bottom inside panel.
- Note: Make sure that the front edges are flush with one another.**
- 4) Line the (2) sets of cubes up one another. (**Note: Again make sure the edges are flush to one another before attaching**). Using (2) 1 1/4" screws per cube, attach all the adjacent cubes to one another through the top left and bottom right holes on the inside of the side panels. Be sure to use the opposite holes on the adjacent cubes.
 - 5) Stand table upright to attach the tabletop
 - 6) Attach tabletop by following the steps on pg. 16.
 - 7) Slide inserts (not shown) into cubes to complete the Wave Cube Table.

Wave Cube Stacker

Parts List

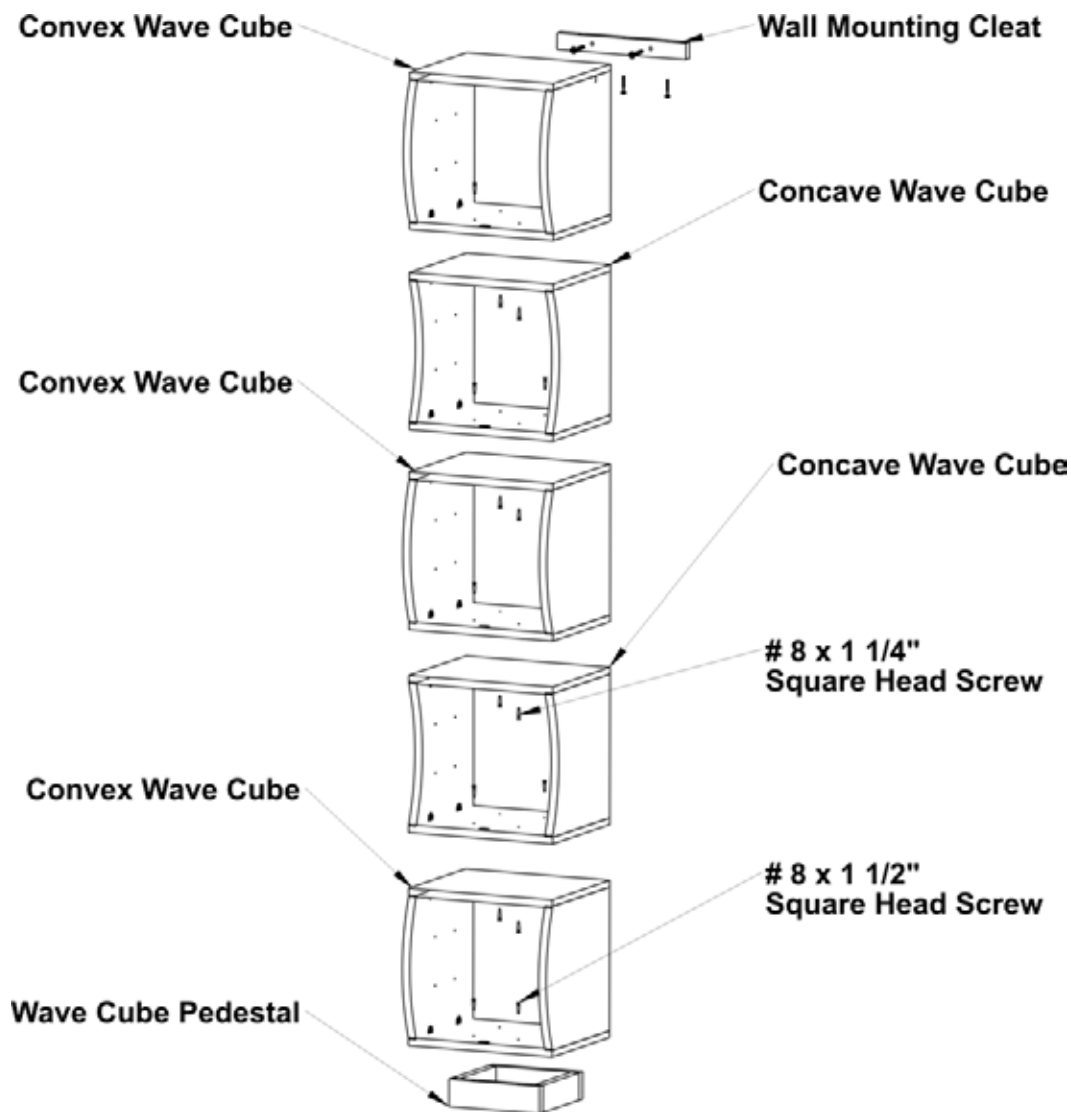
(3) Convex Wave Cubes
(1) Wall Mounting Cleat (recommended)
(2) #8 x 1 1/2" Square Head Screws
(5) Inserts (**Not shown)

(2) Concave Wave Cubes
(2) Wall Anchors
(20) #8 x 1 1/4" Square Head Screws

(1) Wave Cube Pedestal
(2) Round Head Bolts (2.25" long)
(3) #8 x 1 1/4" Round Head Washer Screws

Tools

Screw Gun (optional)



- 1) Assemble the (5) wave cubes in the stacker by following the steps on pgs. 1-5.
- 2) Attach (1) cleat in (1) convex cube (See pg. 10-11). (optional, but recommended)
- 3) Attach the pedestal to the bottom of (1) of the convex cube that does not have the cleat attached (See pg. 12)
- 4) Using (2) 1 1/4" screws per cube, attach a concave cube on top of the first convex cube. Attach the convex cube to the concave cube through the front left and back right holes on the top inside panel.
- 5) Attach the concave cube to the convex cube through the front right and back left holes on the bottom inside panel.
Note: Make sure that the front edges are flush with one another.
- 5) Repeat step 4 for the (3) remaining cubes. Be sure to alternate cubes between convex and concave when assembling, ending with the cube with the cleat as shown in the **exploded view** above; if using the cleat.
- 6) Slide inserts (not shown) into cubes to complete the Wave Cube Stacker.

Wave Cube End Table

Parts List

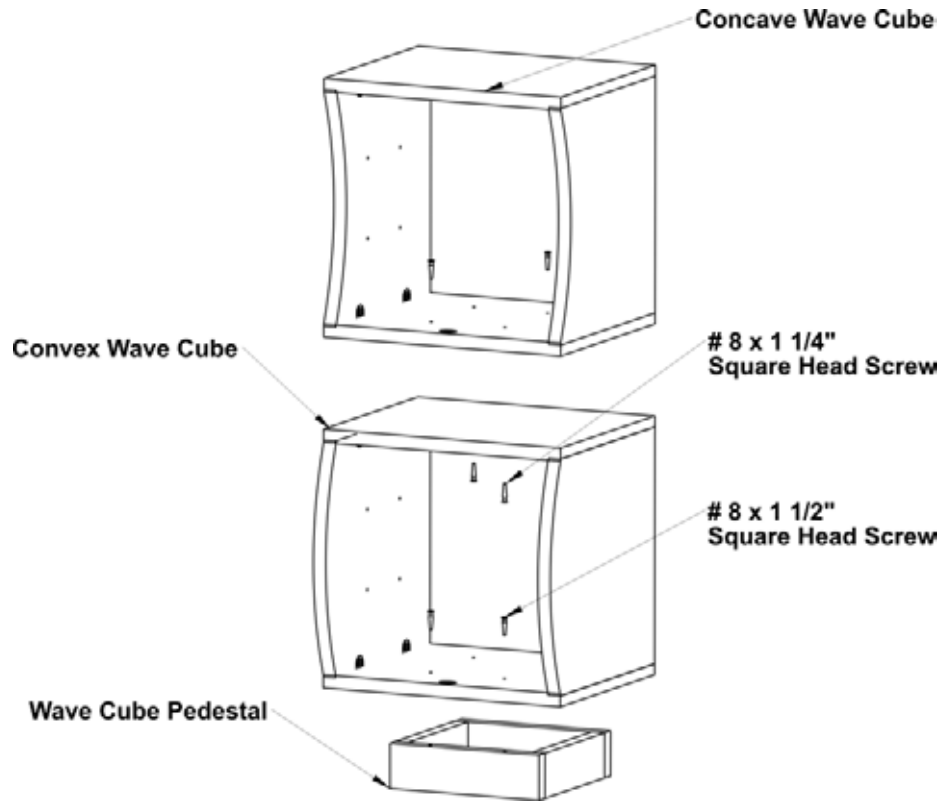
(1) Convex Wave Cube
(2) #8 x 1 1/2" Square Head Screws

(1) Concave Wave Cube
(8) #8 x 1 1/4" Square Head Screws

(1) Wave Cube Pedestal
(2) Inserts (**Not shown)

Tools

Screw Gun (optional)



- 1) Assemble the (2) wave cubes in the end table by following the steps on pgs. 1-5.
 - 2) Attach the (1) pedestal to the bottom of the convex cube (See pg. 12)
 - 3) Using (2) 1 1/4" screws per cube, attach the concave cube on top of the convex cube. Attach the convex cube to the concave cube through the front left and back right holes on the top inside panel.
 - 4) Attach the concave cube to the convex cube through the front right and back left holes on the bottom inside panel.
- Note: Make sure that the front edges are flush with one another.**
- 5) Slide inserts (not shown) into cubes to complete the Wave Cube End Table.



Superior Design & Craftsmanship

Questions?

Please contact our Customer Service Department
at 888-812-4427

Vigilant Inc.
85 Industrial Park Drive
Dover, NH 03820
(603) 285-0400

Info@vigilantinc.com
Website: vigilantinc.com